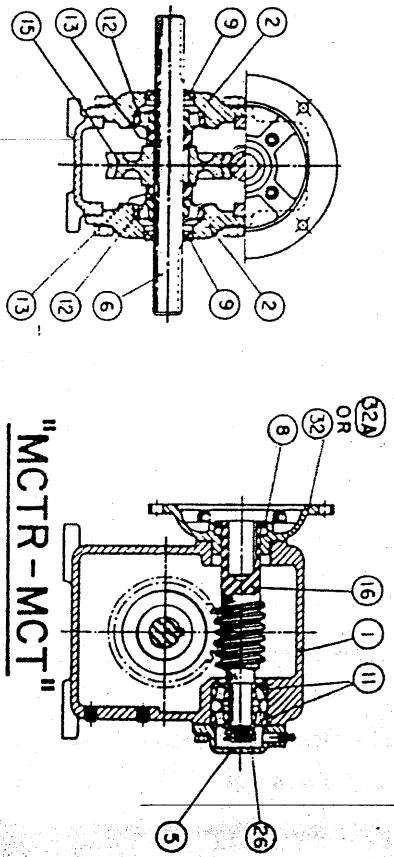
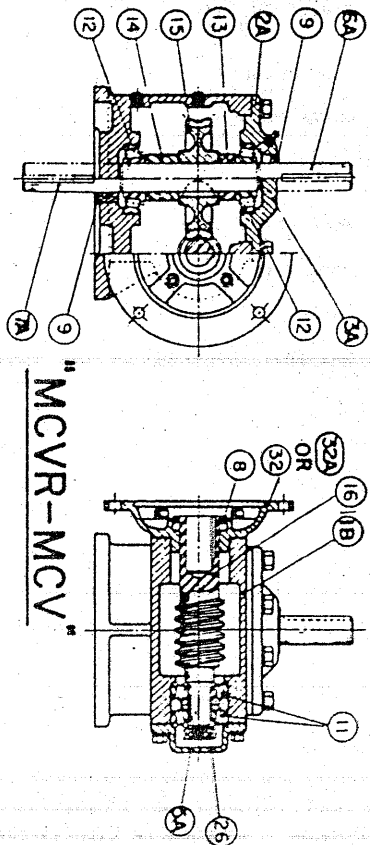


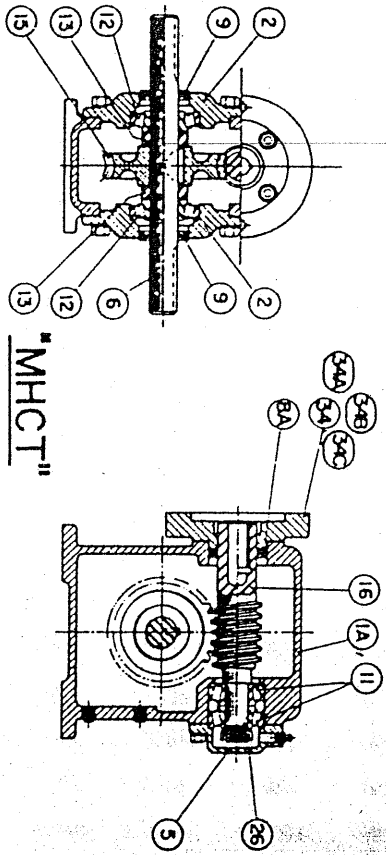
PARTS PRICE LIST FOR SINGLE REDUCTION MODELS
MCTR-MCT — MHCT — MCVR-MCV — MHCV — MFCTR-MFCT — MFCVR-MFCV



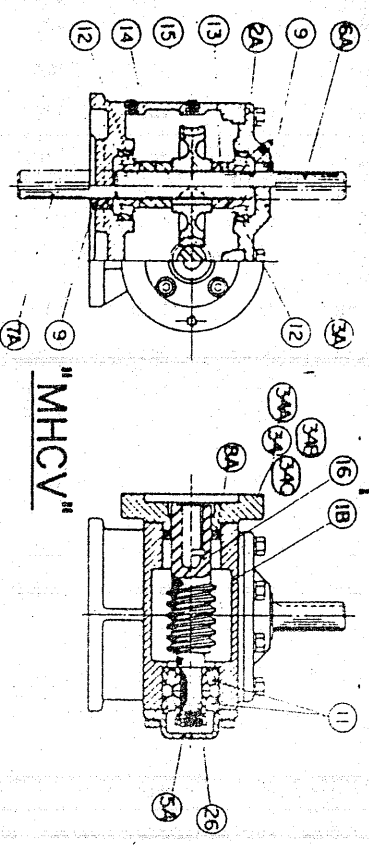
"MCTR-MCT"



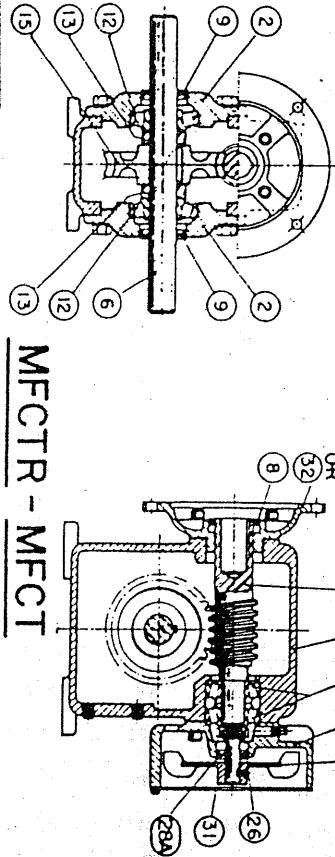
"MCVR-MCV"



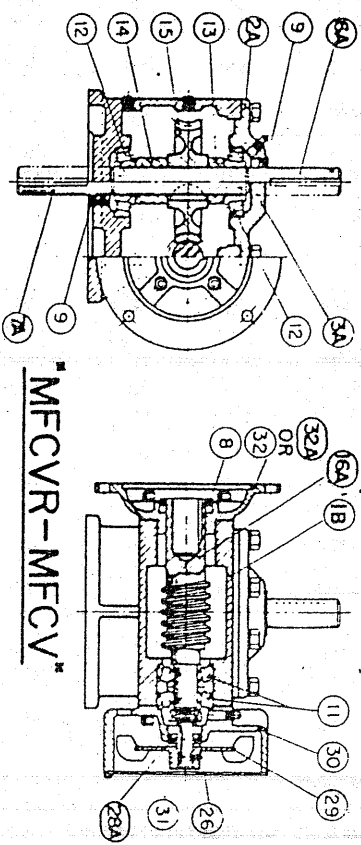
"MHCT"



"MHCV"



"MFCTR-MFCT"



"MFCVR-MFCV"



INSMITH

PEERLESS-WINSMITH, INC., SPRINGVILLE, N.Y. 14141-0129 • PHONE: 716-592-9311 • FAX: 716-592-9546

PLEASE CHECK REFERENCE NUMBER ON REQUIRED REDUCER DIAGRAM TO HELP DETERMINE CORRECT SELECTION OF PARTS.

UNIT SIZE:		1	2	3	4	5	6	7	8
Code	Description	Part #	Part #	Part #	Part #	Part #	Part #	Part #	Part #
TREPAIR KIT									
1**	Housing	1906	4406	4409	1784	1809	1837	1860	1876
1A	Housing	---	---	---	1784	1809	1837	1860	1876
1B**	Housing	1919	Per Assy.	Per Assy.	Per Assy.	Per Assy.	Per Assy.	Per Assy.	Per Assy.
2	S.S. Cover Open	4362	4482	4605	4642	4722	4802	4883	4951
2A#	S.S. Cover Open	4441	4445	4449	4451	4453	4455	4457	4459
3*	S.S. Cover Closed	4363	4483	4606	4643	4723	4803	4882	4952
3A*#	S.S. Cover Closed	4443	4447	4450	4452	4454	4456	4458	4460
5	H.S. Cap Closed	1908	1761	1761	1780	1806	1834	1859	1859
5A	H.S. Cap Closed	1909	1779	1779	1781	1805	1835	1858	1858
6	S.S. Shaft/Double	4366	4493	4607	4647	4732	4807	4886	4955
6A	S.S. Shaft/Top	4367	4541	4581	4701	4782	4828	4942	4956
7*	S.S. Shaft/Single	4367	4492	4608	4646	4733	4806	4887	4956
7A	S.S. Shaft/Bottom	4367	4542	4582	4702	4783	4827	4941	4978
8	H.S. Oil Seal (Motor Adapter)	4959	30060	30060	30060	1831	1831	1831	1831
8A	H.S. Oil Seal (Motor Adapter)	---	---	---	30053	30047	30100	30100	30100
9	S.S. Oil Seal	3302	3303	163	3304	3305	3306	3308	3308
11	H.S. Tapered Roller Bearing/Cone: Cup:	3336 3337	3370 3371	3370 3371	4651 4652	4649 4650	4813 4814	4813 4814	4967 4968
12	S.S. Tapered Roller Bearing/Cone: Cup:	3336 3337	741 740	189 190	4649 4650	4730 4731	2889 2888	4889 4890	4889 4890
13	S.S. Spacer Short	4368	---	4609	4648	4728	4808	4888	4957
14	S.S. Spacer Long	---	4543	4583	4704	4784	4826	2734	4957
15	S.S. Bronze Gear	Per Ratio	Per Ratio	Per Ratio	Per Ratio	Per Ratio	Per Ratio	Per Ratio	Per Ratio
16	H.S. Worm Shaft	"	"	"	"	"	"	"	"
16A	H.S. Worm Shaft	"	"	"	"	"	"	"	"
26	H.S. Locknut	158	1778	1778	176	210	210	210	224
28A	H.S. Oil Seal (Fan End)	1918	3301	3301	3301	163	163	163	163
29	Fan - FCT: FCV:	1070 1070	1071 1071	1071 1071	1072 1072	1073 1073	1074 1074	1075 1074	1076 1074
30	Fan Housing & Cap FCT: FCV:	1928 1928	1945 1945	1945 1945	1802 1802	1827 1827	1854 1854	1857 1856	1889 1856
31	Fan Hsg. Cover	1926	1939	1939	1947	1828	3494	1891	1890
32	Motor Adapter (4 1/2" AK Dia.)	1907	7405	7405	7406	1807	1839	1839	1839
32A	Motor Adapter (8 1/2" AK Dia.)	---	---	---	---	1808	1841	1841	1841
33*	Spacer	---	---	---	---	---	---	---	---
34	Motor Adptr./SAE "AA" Flange	---	---	---	4588	4590	4592	4596	4592
34A	Motor Adptr./SAE "A" Flange	---	---	---	4589	4591	4593	4597	4593
34B	Motor Adptr./SAE "B" Flange/2 Bolt	---	---	---	---	---	4594	4598	4594
34C	Motor Adptr./SAE "B" Flange/4 Bolt	---	---	---	---	---	4595	4599	4595
66*	Gasket Set	---	---	---	---	---	---	---	---

*Not Shown. **Contact factory for Size 1 and Size 2 only for Models MCT-MCV-MFCT-MFCV.
 #Units MCVR, MCV, MHCY, MFCVR, & MFCV.
 When ordering parts, be sure to specify model, size, ratio, serial number, and date of manufacture off of the reducer nameplate.
 For minimum order charge, see current general price list.
 †Repair kit prices include the circled item numbers (h. s. worm, s. s. bronze gear, all bearings, all seals, and gasket set) for all standard models except fan cooled.