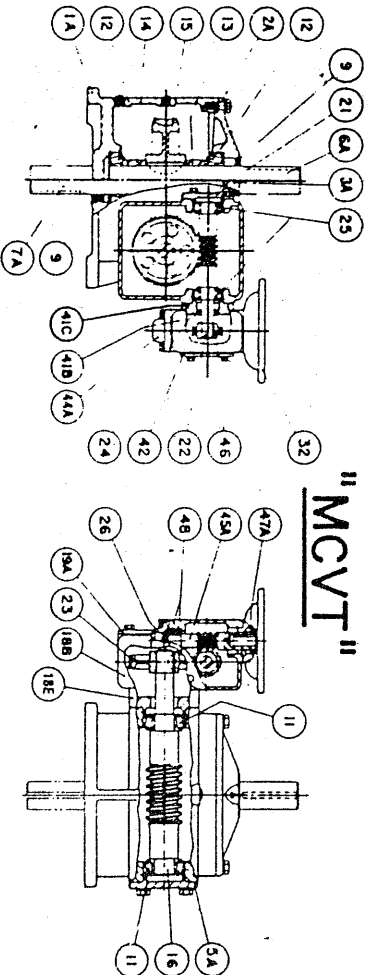
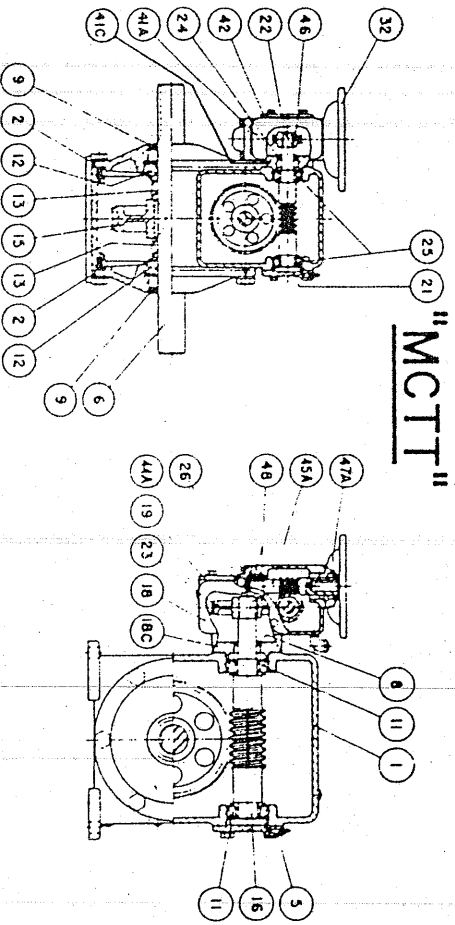
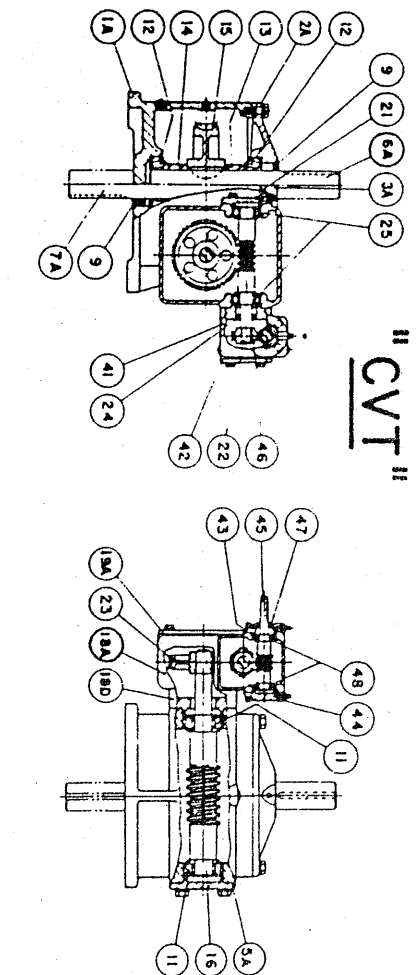
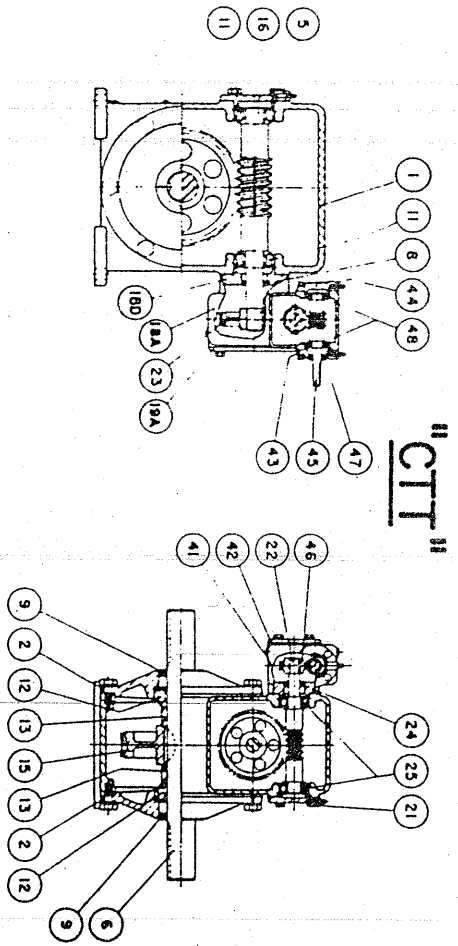


PARTS PRICE LIST FOR TRIPLE REDUCTION MODELS
 CTT — MCTT — CVT — MCVT



PLEASE CHECK REFERENCE NUMBER ON REQUIRED REDUCER DIAGRAM TO HELP DETERMINE CORRECT SELECTION OF PARTS

Unit Code	Size: Description	5 Part #	6 Part #	7 Part #	8 Part #	9 Part #	10 Part #	11 Part #	12 Part #	13 Part #	14 Part #	15 Part #
1	Housing	4771	4841	4921	4970	5020	5091	5061	5150	5200	5240	7330
1A	Housing	4781	4825	4940	4960	5030	5100	5071	5161	5210	5250	6900
2	S. S. Cover Open	4722	4802	4883	4951	5002	5084	5042	5137	5182	5222	6904
2A	S. S. Cover Open	4453	4455	4457	4450	394208	5084	5042	5137	5182	5222	6904
3*	S.S. Cover Closed	4723	4803	4882	4952	5003	5085	5043	5136	5181	5221	6905
3A*	S. S. Cover Closed/CV-FCV	4454	4456	4458	4460	394209	5085	5043	5136	5181	5221	6905
5	Inter. Cap. Closed	4772	4949	4949	4949	4977	5238	5238	5218	5218	5235	7333
5A	Inter. Cap. Closed	4725	4954	4954	4954	5011	5045	5045	5138	5138	5224	6902
5B*	Inter. Adapter Use with 5 or 5A	--	--	--	--	--	5046	5046	5143	5143	5225	6903
6	S.S. Shaft - Double	4732	4807	4886	4955	5006	5088	5049	5140	5183	5227	7331
6A	S. S. Shaft - Top	4782	4828	4942	4956	5009	5086	5075	5144	5186	5229	6908
7*	S.S. Shaft - Single	4733	4806	4887	4956	5007	5089	5050	5141	5184	5226	7332
7A	S. S. Shaft - Bottom	4783	4827	4941	4978	5018	5087	5076	5145	5187	5230	6909
8	Inter. Speed Oil Seal	163	3304	3304	4959	663	3305	3305	3306	3306	3308	3309
9	S. S. Oil Seal	3305	3306	3308	3308	3309	3313	664	3310	213	511	533
11#	Inter. S. S. Tapered Roller Bearings											
	Cone:	4649	4813	4813	4967	2928	5081	5081	5157	5157	5267	5095
	Cup :	4650	4814	4814	4968	2929	5082	5082	5156	5156	5268	5094
	Ball Bearing	--	--	--	--	--	2958	2958	2954	2954	3364	20085
12	S. S. Tapered Roller Brgs:											
	Cone	4730	2889	4889	4889	2936	5095	5078	3396	248	5265	3374
	Cup	4731	2888	4890	4890	2937	5094	5094	3397	247	5266	3362
13	S. S. Spacer Short	4728	4808	4888	4957	5008	5090	5051	5142	5185	5228	6906
14	S.S. Spacer Long	4784	4826	2734	4957	5001	5093	5077	5146	5188	5231	6907
15	S. S. Bronze Gear	Per Ratio	Per Ratio	Per Ratio	Per Ratio	Per Ratio	Per Ratio	Per Ratio	Per Ratio	Per Ratio	Per Ratio	Per Ratio
16	Inter. S. S. Worm On Shaft	Per Ratio	Per Ratio	Per Ratio	Per Ratio	Per Ratio	Per Ratio	Per Ratio	Per Ratio	Per Ratio	Per Ratio	Per Ratio
18	Inter. Speed Attach. Hsg.	5517	5516	5681	5681	5681	3561	3561	5641	5641	5545	356
18A	Inter. Speed Attach. Hsg.	5517	5516	5525	5530	5531	5535	5535	5540	5540	5545	356
18B	Inter. Speed Attach. Hsg.	5520	5522	5525	5530	5531	5535	5535	5540	5540	5545	356
18C	Inter. Attach. Hsg. Adptr.	--	--	--	--	--	--	--	--	--	--	553
18D	Inter. Attach. Hsg. Adptr.	--	--	--	--	--	--	--	--	--	--	689
18E	Inter. Attach. Hsg. Adptr.	--	--	--	--	--	--	--	--	--	--	688

*Not Shown.

#Units 5 thru 9, use 2 tapered roller bearings. Units 10 thru 15, use 2 tapered roller bearings and 1 ball bearing.

When ordering parts, be sure to include unit size, ratio, serial number, and date of manufacture off of the unit nameplate.

For minimum order charge, see current general price list.

PLEASE CHECK REFERENCE NUMBER ON REQUIRED REDUCER DIAGRAM TO HELP DETERMINE CORRECT SELECTION OF PARTS

Unit Size:		5	6	7	8	9	10	11	12	13	14	15
Code	Description	Part #	Part #	Part #	Part #	Part #	Part #	Part #	Part #	Part #	Part #	Part #
19	Inter. Attach. Hsg. Cover	5518	5518	5524	5524	5524	5538	5538	5545	5543	5546	6895
19A	Inter. Attach. Hsg. Cover	5518	5518	5544	5544	5544	5548	5544	5549	5549	5546	6895
21	Inter. H. S. Cap Closed	4522	4522	4691	4691	4691	4772	4772	4949	4949	4949	4971
22	Inter. H. S. Worm On shaft	Per Ratio	Per Ratio	Per Ratio	Per Ratio	Per Ratio	Per Ratio	Per Ratio	Per Ratio	Per Ratio	Per Ratio	Per Ratio
23	Inter. H. S. Bronze	Per Ratio	Per Ratio	Per Ratio	Per Ratio	Per Ratio	Per Ratio	Per Ratio	Per Ratio	Per Ratio	Per Ratio	Per Ratio
24	Inter. H. S. Oil Seal	3302	3302	3303	3303	3303	163	163	3304	3304	3304	663
25	Inter. H. S. Tapered Roller Brgs. Cone: Cup:	3370	3370	4651	4651	4651	4649	4649	4813	4813	4813	2928
		3371	3371	4652	4652	4652	4650	4650	4814	4814	4814	2929
26	H.S. Locknut	158	158	158	158	158	1778	1778	1778	1778	176	176
26A*	Inter. Speed Locknut	---	---	---	---	---	238	238	305	305	160	311
28*	Inter. Speed Locknut Spacer Not Used on 15MCTT/MCVT	---	---	---	---	---	5291	5291	5196	5196	5269	5292
32	Motor Adapter 4-1/2" AK	1907	1907	1907	1907	1907	033210	033210	033210	033210	1782	1782
41	H.S. Attach. Hsg.	5500	5500	5501	5501	5501	5520	5520	5520	5520	5525	5531
41A	H.S. Attach. Hsg.	1759	1759	1800	1800	Per Assy.	Per Assy.	Per Assy.	Per Assy.	Per Assy.	5688	5688
41B	H. S. Attach. Hsg.	Per Assy.	Per Assy.	Per Assy.	Per Assy.	Per Assy.	Per Assy.	Per Assy.	Per Assy.	Per Assy.	Per Assy.	Per Assy.
41C	Attach. Hsg. Adapter	---	---	---	---	---	---	---	---	---	5528	---
42	H.S. Attach Hsg. Cover	5510	5510	5510	5510	5510	5518	5518	5518	5518	5544	5544
43	H.S. Cap Open	4393	4393	4393	4393	4393	4523	4523	4523	4523	4692	4692
44	H.S. Cap Closed	4392	4392	4392	4392	4392	4522	4522	4522	4522	4691	4691
44A	H.S. Cap Closed	1909	1909	1909	1909	1909	1779	1779	1779	1779	1781	1781
45	H.S. Worm on Shaft	Per Ratio	Per Ratio	Per Ratio	Per Ratio	Per Ratio	Per Ratio	Per Ratio	Per Ratio	Per Ratio	Per Ratio	Per Ratio
45A	H. S. Worm on Shaft	"	"	"	"	"	"	"	"	"	"	"
46	H.S. Bronze Gear	"	"	"	"	"	"	"	"	"	"	"
47	H. S. Oil Seal	3301	3301	3301	3301	3301	3302	3302	3302	3302	3303	3303
47A	H. S. Oil Seal	4959	4959	4959	4959	4959	30060	30060	30060	30060	30060	30060
48	H. S. Tapered Roller Brg. Cone Cup	3336	3336	3336	3336	3336	3370	3370	3370	3370	4651	4651
		3337	3337	3337	3337	3337	3371	3371	3371	3371	4652	4652
66*	Gasket Set	---	---	---	---	---	---	---	---	---	---	---

*Not Shown.
 #Units 5 thru 9, use 2 tapered roller bearings. Units 10 thru 15, use 2 tapered roller bearings and 1 ball bearing.
 When ordering parts, be sure to include unit size, ratio, serial number, and date of manufacture off of the unit nameplate.
 For minimum order charge, see current general price list.
 PRICES4/55-56